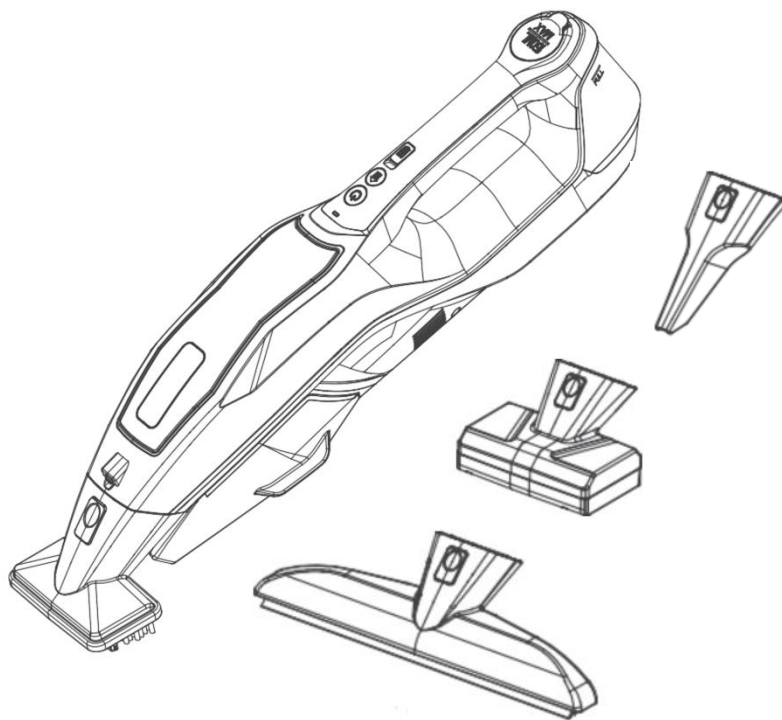


anko

Spot Cleaner FD-WDV-B User Manual



PLEASE READ AND SAVE THESE
INSTRUCTIONS FOR FUTURE REFERENCE

IMPORTANT SAFEGUARDS

When using any electrical product, always follow these basic safety precautions:

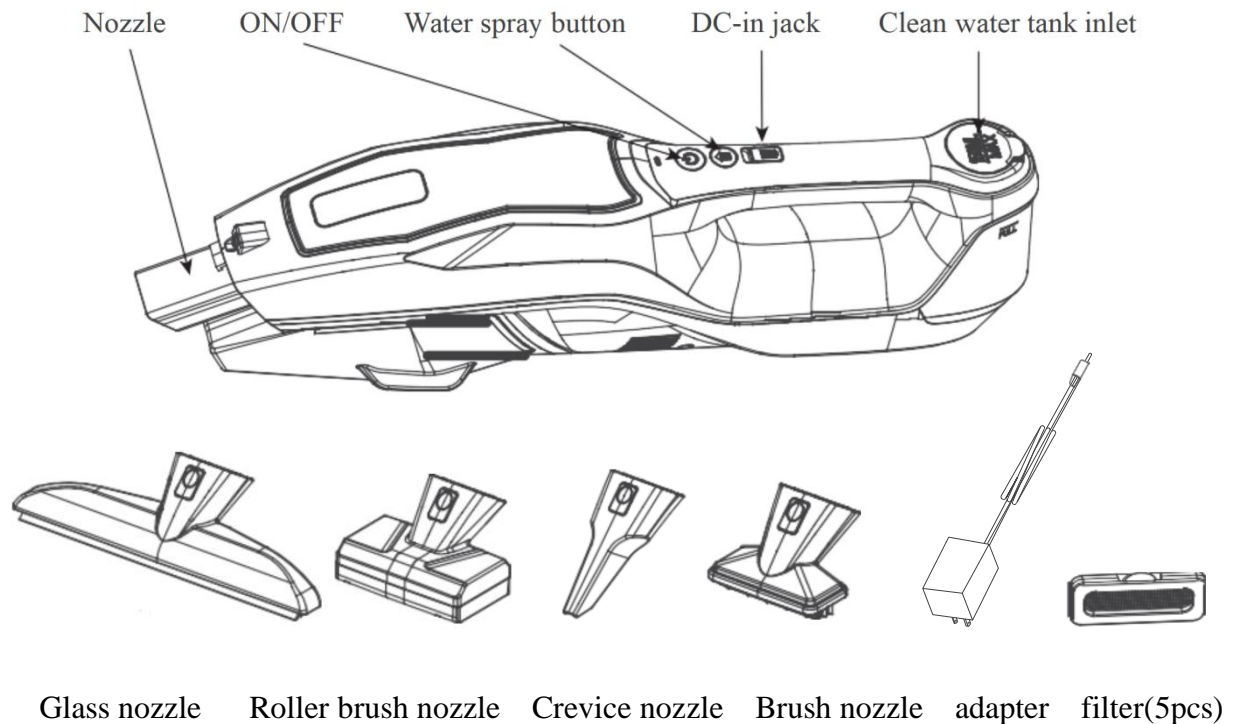


READ ALL INSTRUCTIONS BEFORE USE.

- Do not overfill the water tank.
- Never turn the appliance over or tilt.
- Do not immerse the appliance in water or any other liquid.
- Keep the appliance and adapter away from hot surfaces.
- Store in a cool, dry place. Do not expose appliance to freezing temperatures.
- Use only accessories supplied with the product.
- This appliance is not intended for use by persons(including children)with reduced physical, sensory or mental capabilities, or lack of experience and knowledge, unless they have been given supervision or instructions concerning use of the appliance by a person responsible for their safety.
- Children should be supervised to ensure that they do not play with the appliance.
- This appliance must only be used by adults, not by children, and must only be used by those who are capable of understanding Care and User instructions.
- This appliance should only be used for domestic cleaning, and must only be used indoors, as described in this user guide.
- Always switch off and remove the charger from the socket before cleaning the appliance or any maintenance task.
- Check that your supply voltage is the same as that stated on the charger.
- When charging the appliance, the appliance should be switched off.
- Never charge the appliance in temperatures above 37°C or below 0°C.
- It is normal for the charger to become warm when charging.
- Some carpets can cause a small build-up of static electricity. Any static discharge is not hazardous to health.
- Do not use your appliance outdoors or expose to weather.
- Do not spray with or pick up flammable liquids, cleaning fluids, aerosols or their vapors.
- Do not continue to use your appliance or charger if it appears faulty.
- Do not leave the appliance unattended when in use.
- Never use the appliance without the filters in place!
- Check if the filter is attached correctly!
- Do empty the Dust Cup regularly for optimal operation of the vacuum.
- Do not replace the batteries.
- The vacuum must be used only with provided battery charger CW1750650AU.
- 🏠 For indoor use only.
- Battery pack specification: Li-ion 3.7V 2000mAh x 4cells
- Do not recharge non-rechargeable batteries.

SAVE THESE INSTRUCTIONS FOR HOUSEHOLD USE ONLY

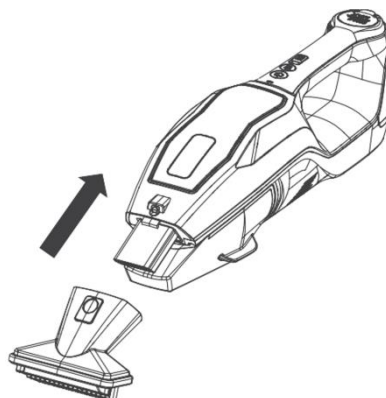
KNOW YOUR SPOT CLEANER



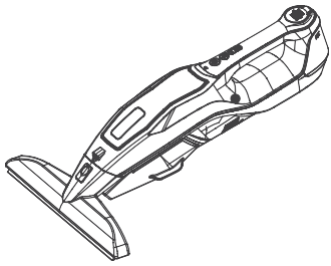
BEFORE USING THIS PRODUCT

IMPORTANT! Always place and operate the appliance on a flat, solid, clean, dry and heat-resistance surface.

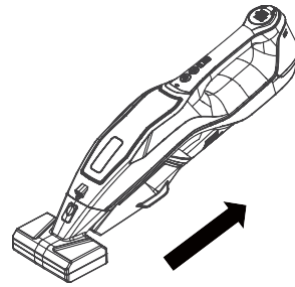
- Unpack the appliance and check if all parts are there and undamaged. In case of shipping damage or incomplete package, return the product to Kmart.
- Choose the right accessory and attach to the main unit. It is locked in place when you hear a click sound.



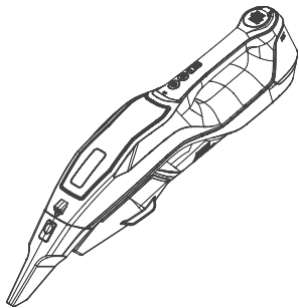
Glass nozzle is used for cleaning windows by pull down.



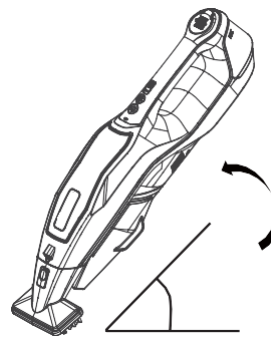
Roller brush nozzle is used for cleaning carpet by pull back.



Crevice nozzle is used for slits and obstacle positions.

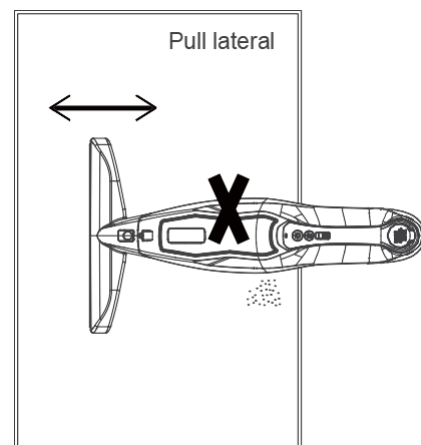
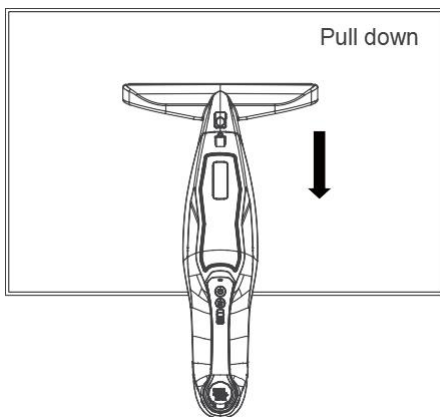


Brush nozzle is used for cleaning ground stains by pull back

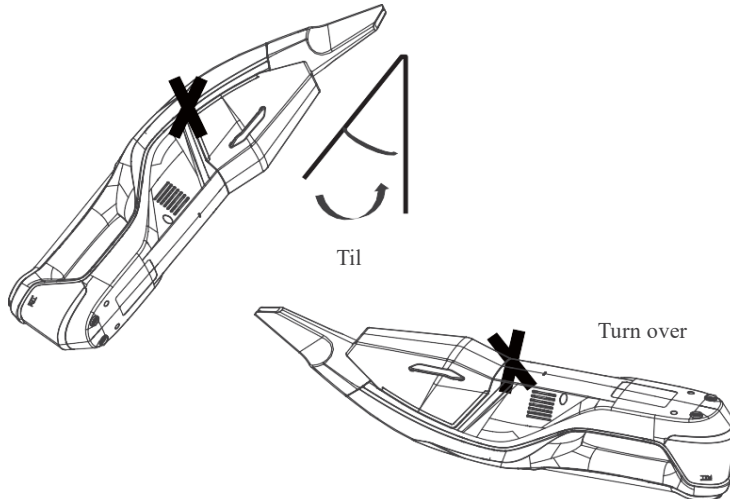


Tips:

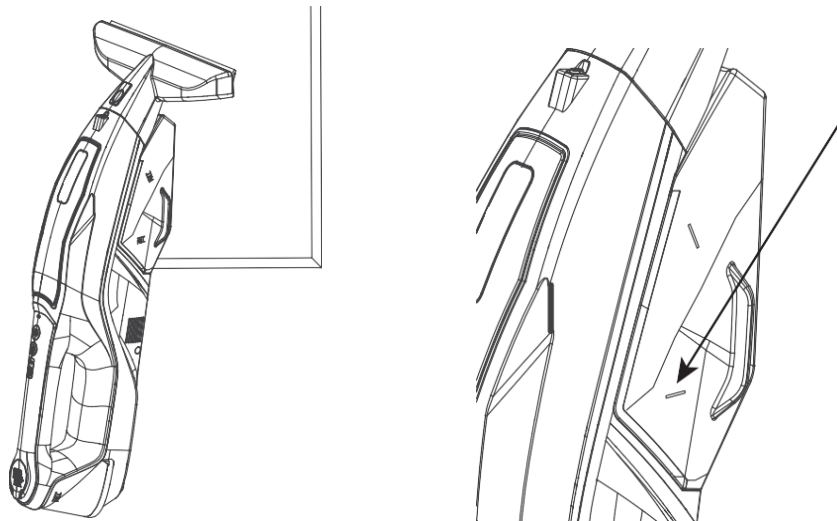
- When using glass nozzle hold the appliance and clean the glass from top to bottom, the sewage will be collected into the sewage tank. Do not clean the glass horizontally, otherwise sewage will flow out from the air outlet. The appliance should slowly move on the glass.



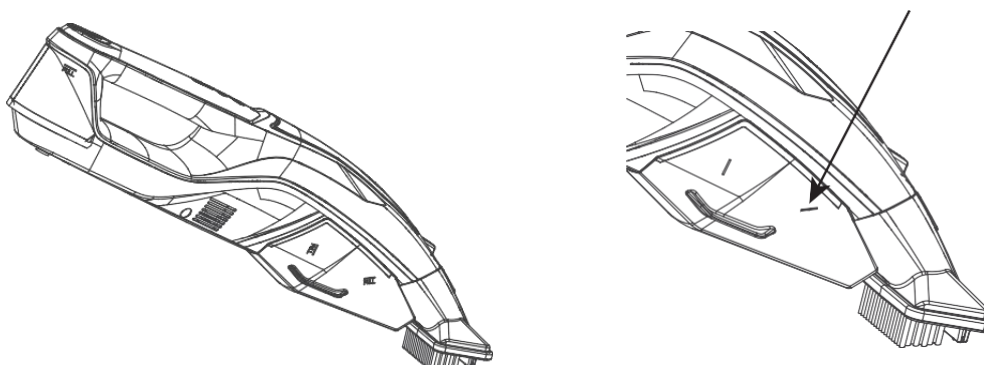
- All the nozzles are not allowed to be tilted or turned over. Otherwise, sewage will overflow from the air outlet.



- When using glass nozzle or other nozzles in vertical direction, the sewage shall not exceed MAX water level indicator. Otherwise, sewage will overflow from the air outlet.

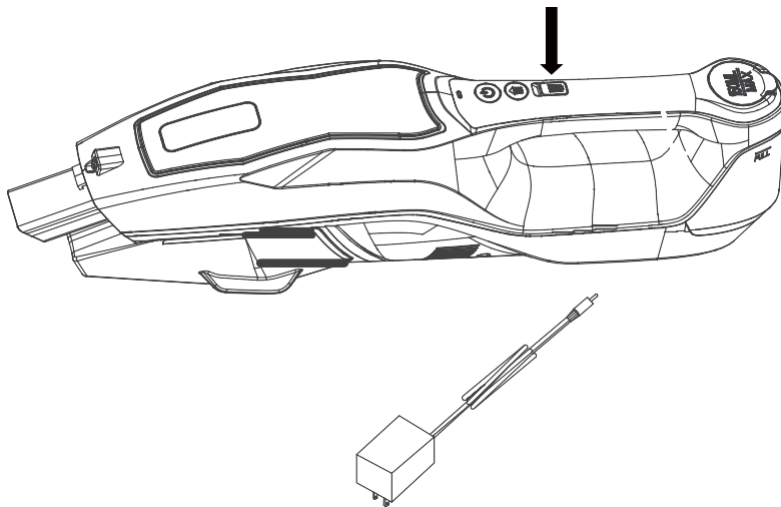


- When using glass nozzle or other nozzles in the downward direction, the sewage shall not exceed the water level indicator. Otherwise, sewage will overflow from the air outlet.



CHARGING THE APPLIANCE

- When the light flashes in red, it means the power is low and needs to be charged.
- Switch off the appliance and place the appliance on a dry, flat, horizontal surface.
- Open the rubber cover on the charging interface, connect the appliance to the mains power with the charger supplied.
- IMPORTANT! Make sure the voltage indicated on the appliance matches the local voltage before connecting the appliance to mains power. Rated voltage: 100-240V~ 50-60Hz.
- The light flashes in green during charging and light up in green when fully charged, it need $3.5\pm 0.5H$ to get fully charged.
- Disconnect the charger with the appliance and the mains power, storage it well.
- The appliance can work 10~15 minutes after fully charged.

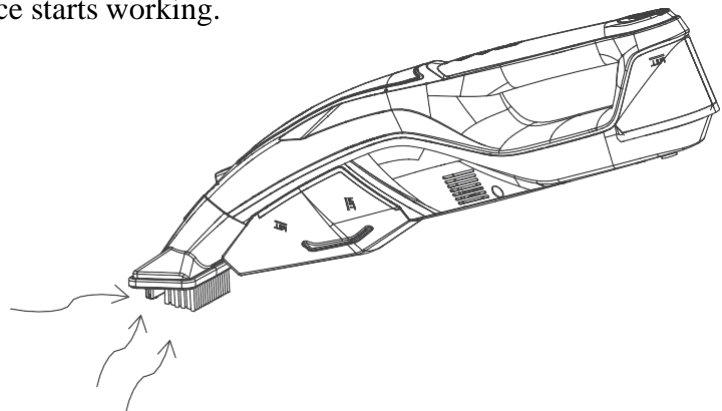


CAUTION: Do not charge the appliance in places below 0°C or above 37°C, otherwise the product performance will be reduced.

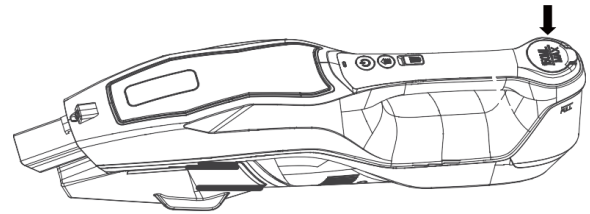
NOTE: It is a normal phenomenon that temperature of the charger rises during charging.

USING YOUR SPOT CLEANER

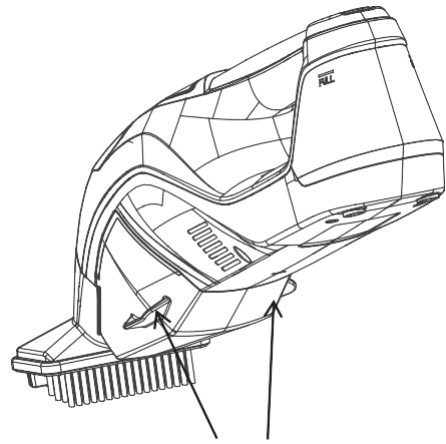
- Choose the right nozzle you need and attach it to the main unit.
- Press the ON/OFF button and the appliance starts working.
- Press the switch again to stop working.



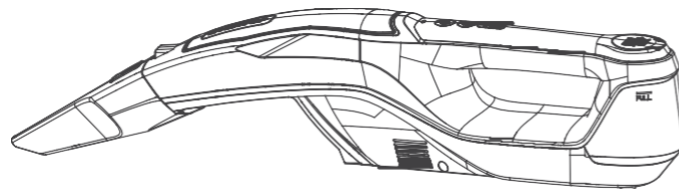
- If you need to use water for cleaning, open the rubber cap of the clean water tank. Add clean water to MAX level. Press ON/OFF button to start the appliance, then press and hold the spray button to spray water for cleaning. Release the spray button to stop water spray. There is a filter in the clean water tank to prevent any dirt to block the motor. It can be used without replacement or cleaning.



- When the sewage reaches the MAX level of the sewage tank, (the MAX level in both horizontal and vertical directions), grasp the buckle and pull off the sewage tank from the main unit. Open the outlet cover to pour out the sewage.



- Open the outlet cover of sewage tank to pour out waste water. Put the cover back after cleaning, and then attach the sewage tank to the main unit.

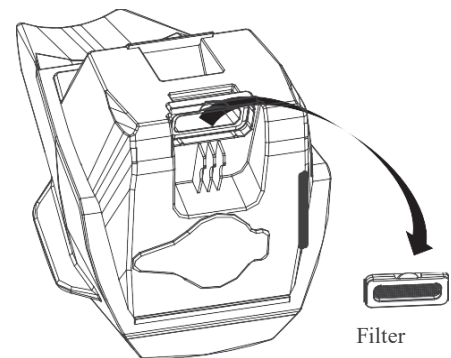


Dirty water tank outlet cover



the
the
to

- The dirt will affect the life of the motor. A filter screen is placed at the air outlet of the sewage tank to prevent the dirt from going into the motor. If the air volume becomes smaller, or if there is dust or oil on the filter, it can be used after cleaning. Replace the filter if it is damaged.



Filter

- The product is suitable for cleaning the liquid household garbage on the floor and carpet, or for cleaning liquid garbage on glass after spraying water.
- When adding water to the clean water tank, please use tap water or pure water, or add liquid detergent to prevent the nozzle from clogging.
- Not suitable for cleaning corrosive liquid, organic solvent, solid, construction waste and industrial metal waste.
- Discharge fully after long time operation. Recharging should be carried on after 30 minutes rest, for battery protection and lifespan prolong.
- Please discharge and charge the product if it left unused for 3 months.
- The motor and battery are optimized after the product is discharged and charged three times.

CLEANING AND STORAGE

- Clean the spot cleaner after each use.
- Remove the adapter and ensure the appliance is turned off.
- Clean the appliance and accessories with a damp cloth or sponge. Wipe dry with a soft dry cloth.
- Do not clean the product with gasoline, alcohol, lacquer thinner etc. and strong detergent.
- Make sure all components are clean and dried thoroughly before storing.
- Store the appliance in a clean, cool and dry location. Store the accessories alongside the appliance where they will not be damaged.

TECHNICAL SPECIFICATION

Adapter input: 100-240VAC 50-60Hz

Adapter output: 650mA

Li-Ion battery pack: 3.7V 2000mAh 4cells

12 Month Warranty

Thank you for your purchase from Kmart.

Kmart Australia Ltd warrants your new product to be free from defects in materials and workmanship for the period stated above, from the date of purchase, provided that the product is used in accordance with accompanying recommendations or instructions where provided. This warranty is in addition to your rights under the Australian Consumer Law.

Kmart will provide you with your choice of a refund, repair or exchange (where possible) for this product if it becomes defective within the warranty period. Kmart will bear the reasonable expense of claiming the warranty. This warranty will no longer apply where the defect is a result of alteration, accident, misuse, abuse or neglect.

Please retain your receipt as proof of purchase and contact our Customer Service Centre on 1800 124 125 (Australia) or 0800 945 995 (New Zealand) or alternatively, via Customer Help at Kmart.com.au for any difficulties with your product. Warranty claims and claims for expense incurred in returning this product can be addressed to our Customer Service Centre at 690 Springvale Rd, Mulgrave Vic 3170.

Our goods come with guarantees that cannot be excluded under the Australian Consumer Law. You are entitled to a replacement or refund for a major failure and compensation for any other reasonably foreseeable loss or damage. You are also entitled to have the goods repaired or replaced if the goods fail to be of acceptable quality and the failure does not amount to a major failure.

For New Zealand customers, this warranty is in addition to statutory rights observed under New Zealand legislation.